

Cubic mounts for T05 and T066 headers

data sheet describing the new T05 and T066 mount for enhanced temperature control

technology

The nanoplus T05 and T066 mounts are standardized plug and play systems for easy connection with electronics and optical set up while enhancing the temperature control of the laser.

key features

- ✓ improved heat distribution
- ✓ connectors for laser diode driver and temperature controller
- ✓ M6 thread for optical posts
- ✓ easy use with standard cage systems

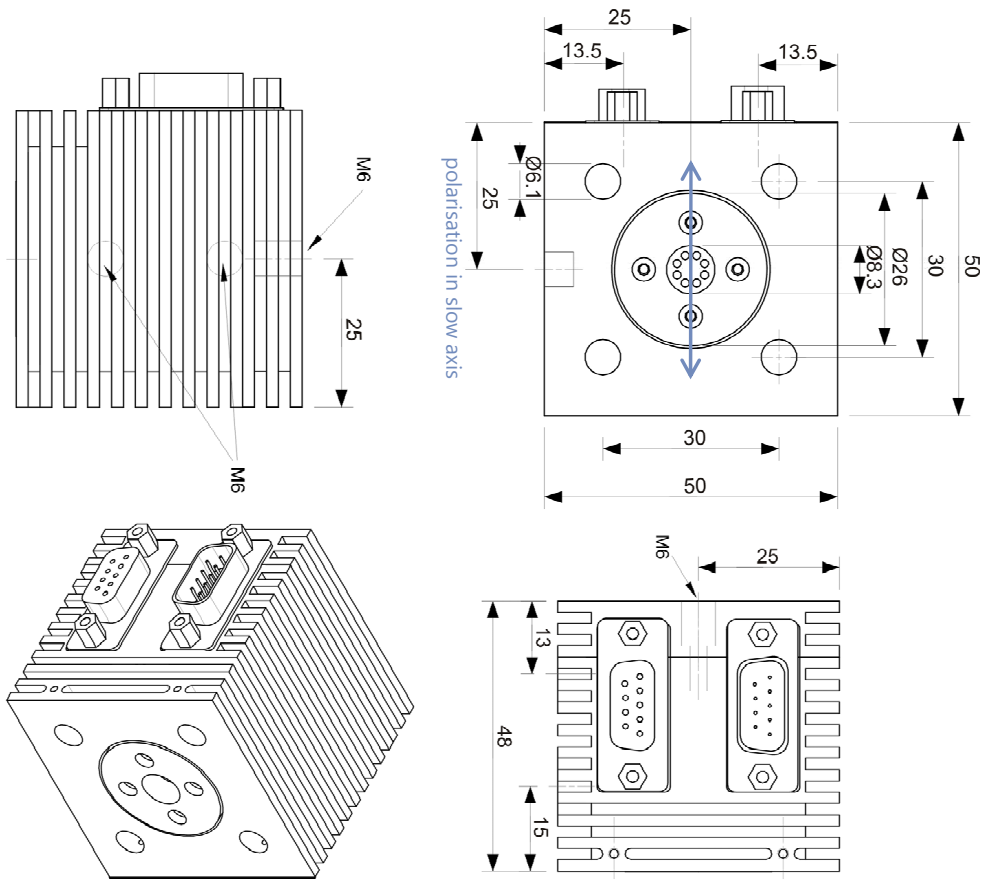


T05 Cube		
pin-out		
D-Sub-M	D-SUB-F	laser pinout
1	1 int. connected to 5	1 LD +
2 NTC +	2 PD*	2 LD -
3 NTC -	3 LD -	3 TEC -
4 TEC +	4 PD*	4 TEC +
5 TEC -	5 int. connected to 1	5 NTC +
6	6 LD -	6 NTC -
7	7 LD -	7 PD*
8	8 LD +	8 PD *
9	9 LD +	

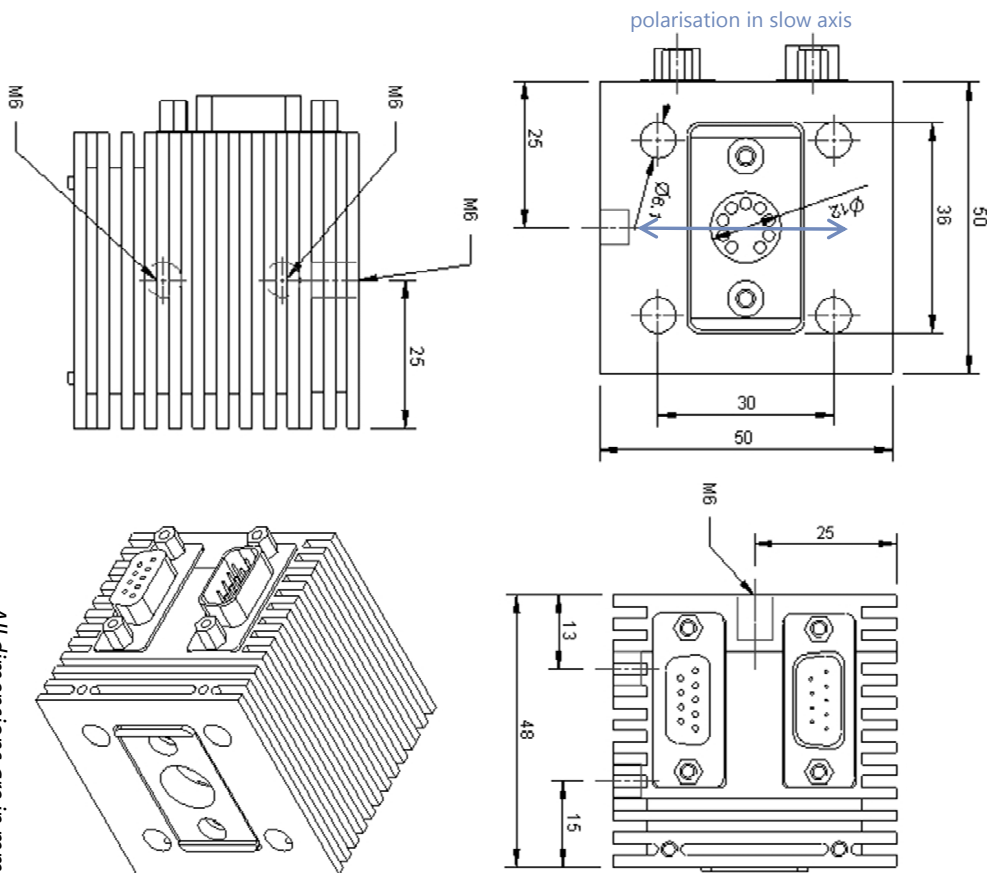
T066 Cube		
pin-out		
D-Sub-M	D-SUB-F	laser pinout
1	1 int. connected to 5	1 TEC +
2 NTC +	2 PD*	2 NTC -
3 NTC -	3 LD -	3 NTC +
4 TEC +	4 PD*	4 PD*
5 TEC -	5 int. connected to 1	5 PD*
6	6 LD -	6
7	7 LD -	7 LD +
8	8 LD +	8 LD -
9	9 LD +	9 TEC -

*photodiode is optional

nanoplus cubic mount for TO5 headers



nanoplus cubic mount for TO66 headers



All dimensions are in mm.