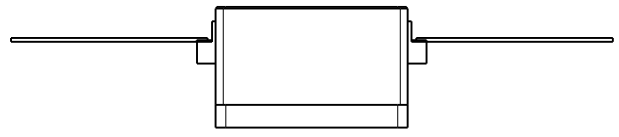
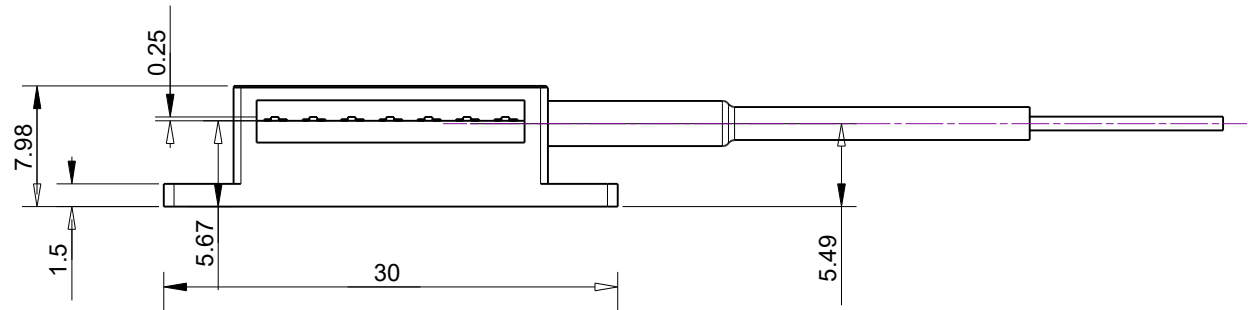
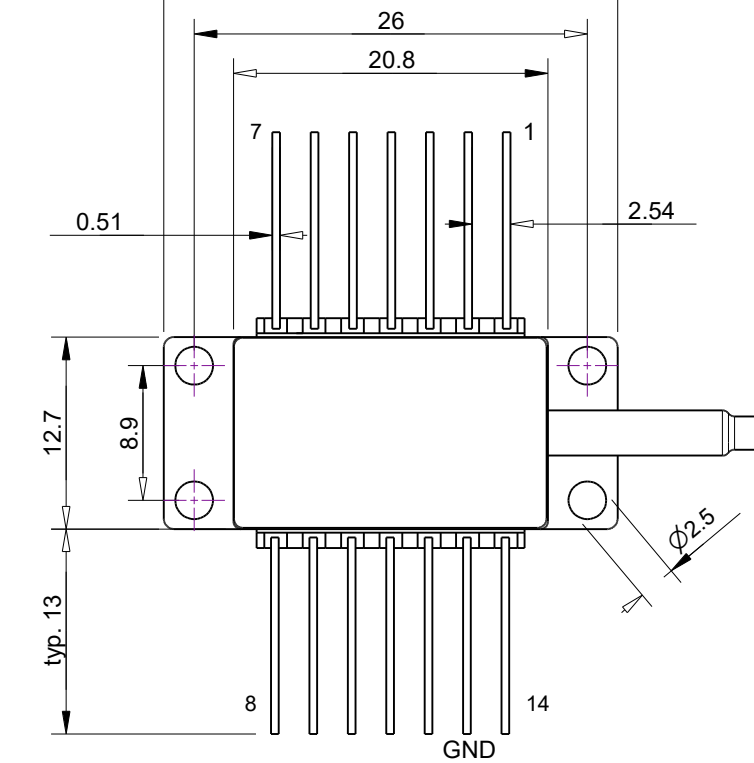


RevNo	Revision note	Date	Signature	Checked
-------	---------------	------	-----------	---------

A



B




Pin Assignment

- 1: TEC anode (+)
- 2: thermistor
- 3: N/C
- 4: N/C
- 5: thermistor
- 6: N/C
- 7: PD (-) (if installed)
- 8: PD (+) (if installed)
- 9: LD cathode (-)
- 10: LD anode (+)
- 11: N/C
- 12: N/C
- 13: case
- 14: TEC cathode (-)

C

Note: Package is sealed under dry air (~10 % O2) OR dry nitrogen atmosphere.
Note: The laser device is not designed for any reverse operation

D

Itemref	Quantity	Butterfly BF2 SM			Article No./Reference	
Drawn by M. Legge	Date 04.04.2012	Approved by - date	Material	File name	Scale 2:1	
Nanosystems and Technologies GmbH 		nanoplus Nanosystem and Technologies GmbH Oberer Kirschberg 4, 97218 Gerbrunn, Germany <small>© copyright nanoplus GmbH 2012, all rights reserved. nanoplus GmbH reserves the right to modify these specifications at any time without notice and is not liable for errors.</small>			Drawing No. 1	Edition
					All dimensions are in mm	Sheet 1